



Mk3D POWER PACKS

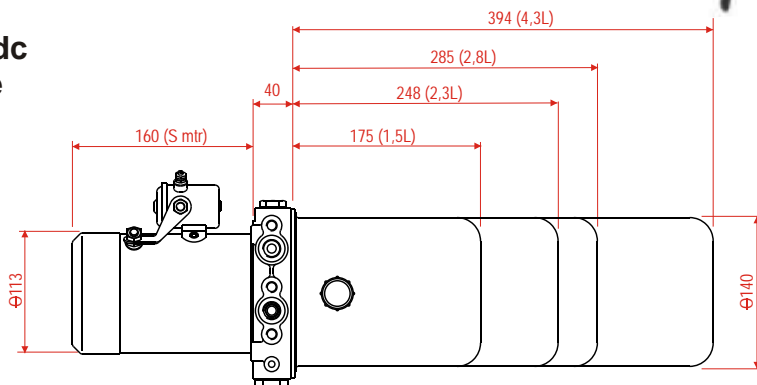
2008 Series



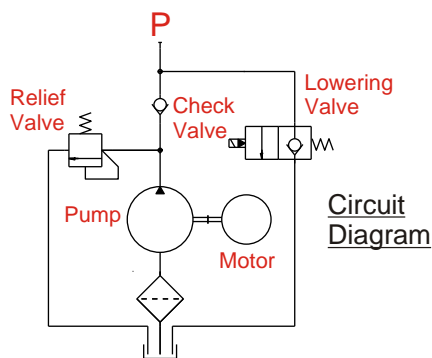
**Industry standard range of 12V & 24V dc
Power Units for a wide range of mobile
applications.
Flows to 20l/min
Pressures to 300bar
Motors 1,6kW to 3kW (nominal)**

FEATURES

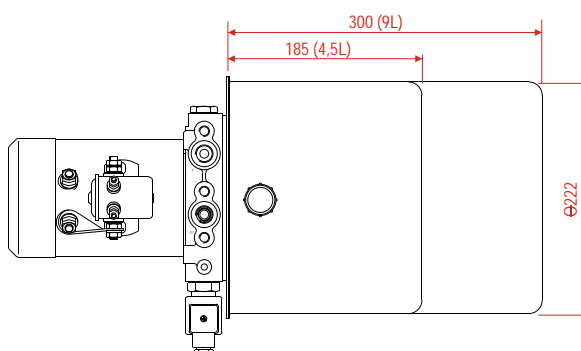
- Pressure balanced gear pump
- Industry standard lowering valve
- Industry standard mounting
- Precision "quiet" relief valve
- Wide range of options
- Global support & servicing



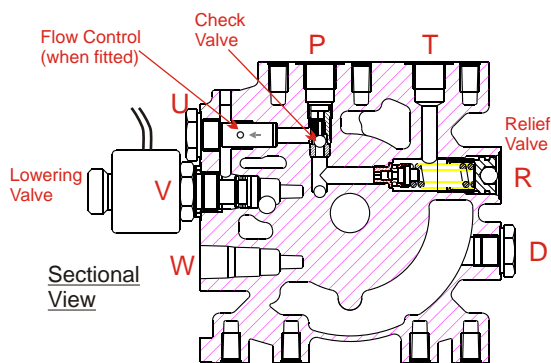
Typical Mk3D Pack
Featuring 4.5" (113mm) S Motor
Small diameter Tanks



Circuit
Diagram



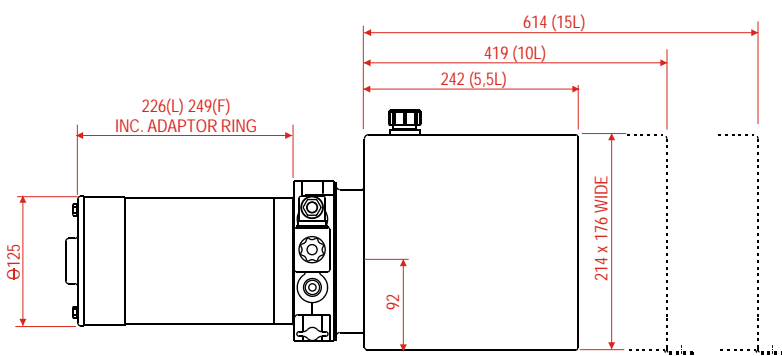
Typical Mk3D Pack
Featuring 4.5" (113mm) S Motor
Large Diameter Tanks



Sectional
View

Ports Marked on Casting

- P = Pressure Port 3/8" BSP
- T = Tank Port 3/8" BSP
- R = Relief Valve
- D = Drain Port 3/8" BSP
- W = Not Used
- V = Valve Cavity
- U = Aux Pressure Port 3/8" BSP



Typical Mk3D Pack
Featuring 5" (125mm) L or F Motor
Rectangular Tanks

fluidlink
HYDRAULICS

9 Harris Road
Porte Marsh Industrial Estate
Calne
Wiltshire, SN11 9PT
UK.

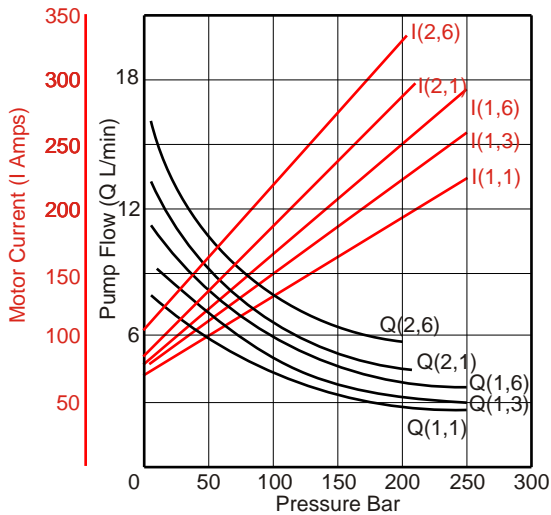
(T) 01249 818555
(F) 01249 818666
www.fluidlink.co.uk

PERFORMANCE DATA Mk3D POWER PACKS

MOTOR TYPE S (Series Wound, $\varnothing 113\text{mm}$)

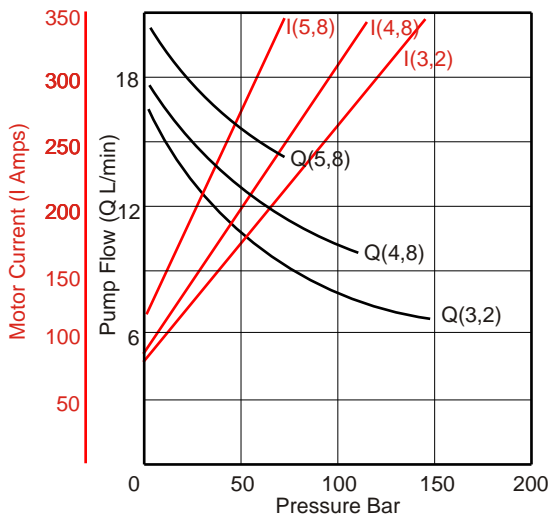
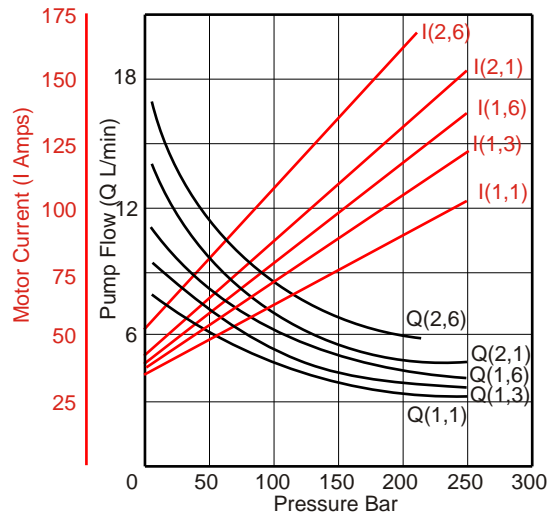
Nominal performance of pack combinations at constant voltage
and at nominal $20^{\circ}\text{-}25^{\circ}\text{C}$ with ISO VG22 oil.

12V Motor

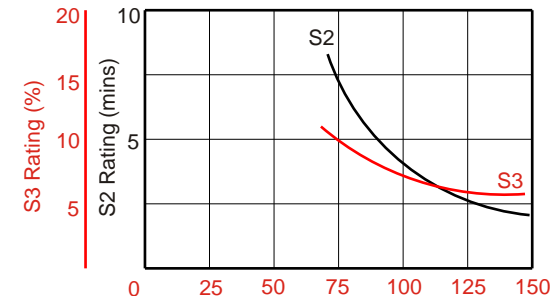
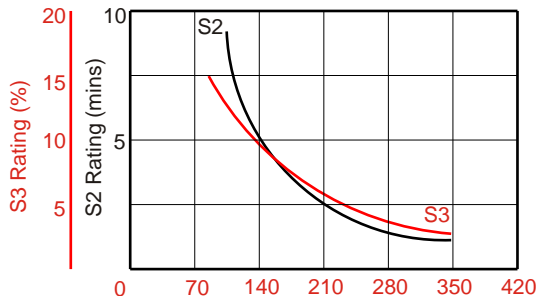
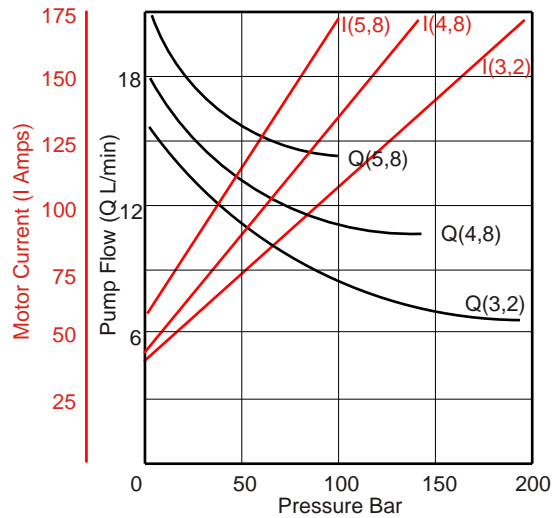


For Pump Capacities:
1,1cc/rev
1,3cc/rev
1,6cc/rev
2,1cc/rev
2,6cc/rev

24V Motor



For Pump Capacities:
3,2cc/rev
4,8cc/rev
5,8cc/rev

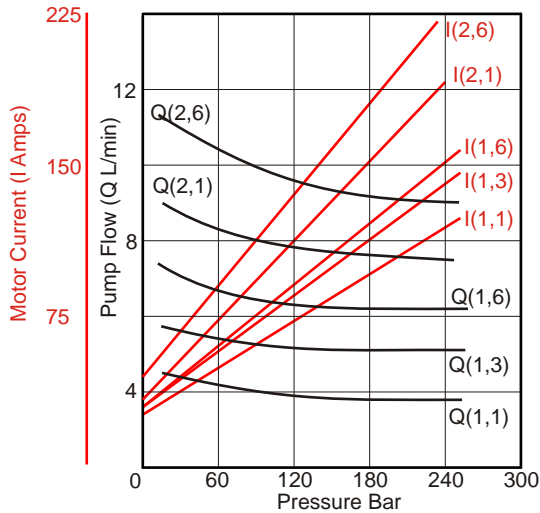


PERFORMANCE DATA MK3D POWER PACKS

MOTOR TYPES L & F (Long Rated/Fan Cooled $\varnothing 126\text{mm}$)

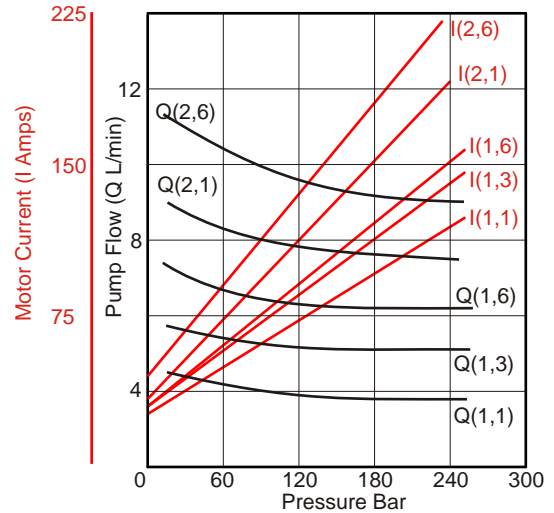
Nominal performance of pack combinations at constant voltage
and at nominal 20^o-25^o C with ISO VG22 oil.

24V 'L' Motor

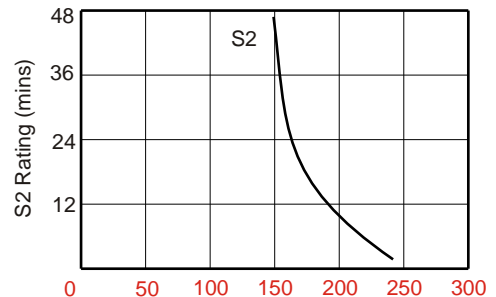
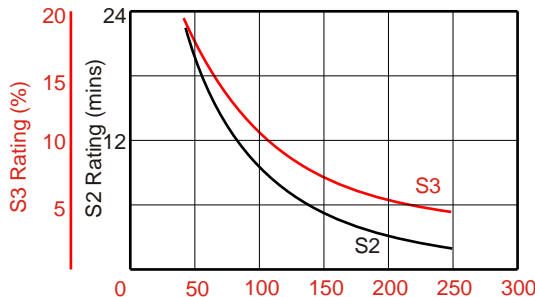
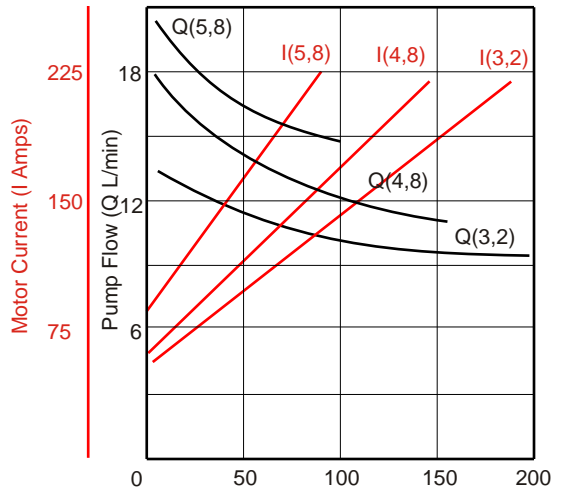
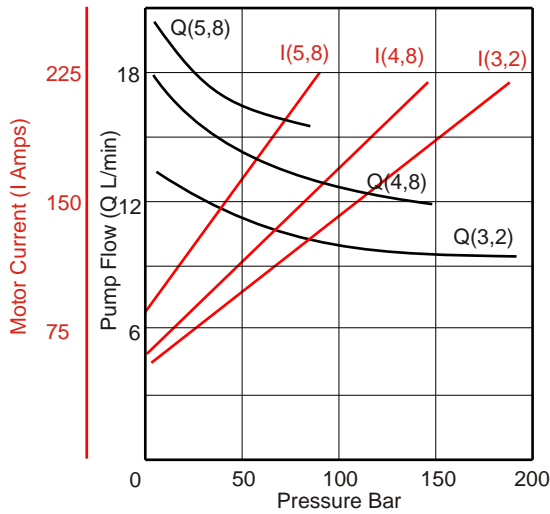


For Pump Capacities:
1,1cc/rev
1,3cc/rev
1,6cc/rev
2,1cc/rev
2,6cc/rev

24V 'F' Motor



For Pump Capacities:
3,2cc/rev
4,8cc/rev
5,8cc/rev



Mk3D POWER PACKS - TECHNICAL DATA

Hydraulic Fluid(recommended)

Mineral hydraulic oil (HM or HV)
For normal ambient temp range (0°C-40°C)
ISO VG22 to ISO VG46

Working temp (ambient) -20°C - +40°C

Weight

Typical assembly (dry) 12,5kg
Each additional litre tank capacity 1kg

Maximum Pressures (see performance curves)

0,8cc	200bar
1,1 to 2,6cc	275bar
3,2cc	240bar
4,8 5,8cc	200bar

Options Available

Lowering valves (N Closed N Open Double Lock)
Coil Voltages 12V 24V dc; 110V 230V 50/60Hz

Flow Controls (full range 0,5l/m to 13l/m)
Heavy Duty Start Switch
Remote Start/Stop Switch Pendants

Manifolds & Control valves Cetop03
Manifolds & Control valves Series35
Special Valve Blocks (eg Dock Leveller)

Special Tanks
Weld Ring for Custom Tanks
Weatherproof Box and Motor Cover

MAIN SPARES KITS

Pump Kit	KPG**01A	** = pump code ref	Centre Plate Kit	KC3D1101B
Seal Kit	KSK3D01B		Cavity Plug Kit	KCPG02A
Tank Kit	KT3***I01A	*** = tank code ref		
		! = H or V (see code)		
Motor Kit	KMD***01A	*** = motor code ref	Lowering Valve	KSLV-8-**F ** = 12 or 24
Starter Kit	KSW**S01A	** = 12 or 24 (for S motors)	N Open Valve	FOLV-8-**F ** = 12 or 24
	KSW**H01A	** = 12 or 24 (L or F motors)	Double Lock	FDLV-8-**F ** = 12 or 24

Mk3D POWER PACKS - ORDERING CODES

2 R S			2 1		H	2 3		8	3	N N		X X X		
Motor			Pump Capacity			Tank Size (working volume)		Lowering Valve	Flow Control	Ancillary Valve	Special Code			
1		12V	08	0,8 cc/rev		15	1,5 Litres	8	Solenoid		Allocated by manufacturer for all custom and non-standard assemblies.			
2		24V	11	1,1 cc/rev		23	2,3 Litres	7	Dble Lock					
	E	Earth Return	13	1,3 cc/rev		28	2,8 Litres	6	N. Open		CT	Cetop 03 Subplate		
	R	Ins'd Return	16	1,6 cc/rev		43	4,3 Litres	3	None		35	Series 35 Subplate		
		S Series	21	2,1 cc/rev		45	4,5 Litres	X	Special		N	None		
		C Compound	26	2,6 cc/rev		90	9 Litres				X	Special		
2	R	L Long Rated	32	3,2 cc/rev		R1	5,5 Litres		3	2,5 L/min	The products are subject to development and the manufacturer reserves the right to change the specifications without notice			
2	R	F Fan Cooled	48	4,8 cc/rev		R2	10 Litres		4	4 L/min				
N	N	N No motor	58	5,8 cc/rev		R3	15 Litres		5	5 L/min				
X	X	X Special				R4	17 Litres		7	7 L/min				
						R5	28 Litres		9	9 L/min				
						NN	None		N	None				
						XX	Special		X	Special				

Orientation

H	Horizontal
V	Vertical
X	Special

Items **THUS** are non-preferred.
F motors are 24V only.

The 2008 series replaces the former G1/2 lowering valve with the industry standard 8-2 size. The flow control is now located beneath the U plug.